

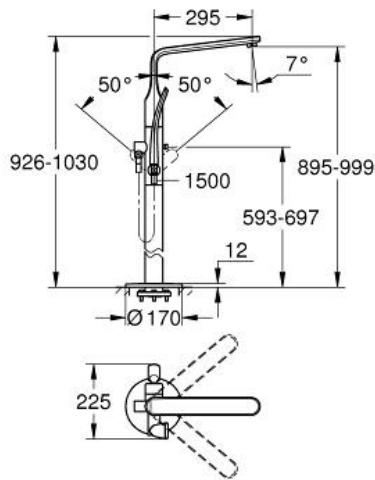
VERIS Single-lever Bath Mixer 1/2"

MODEL # 32222

Pure Freude an Wasser



GROHE America, Inc | 200 North Gary Avenue, Suite G, Roselle, IL 60172
Phone: +1 (800) 444-7643 | Fax: +1 (800) 225-2778 | us-customerservice@grohe.com



ADA

Product Description: Single-lever Bath Mixer 1/2"

Standard Specification:

- Floor standing tub filler
- Requires Rough-In Set (29 038 001) (sold separately)
- GROHE SilkMove® ceramic cartridge
- GROHE StarLight® finish
- Automatic diverter: bath/shower
- Swivel tubular spout with flow control and stop limiter
- 11 5/8" spout reach
- 1/2" Integrated non-return valve in the shower outlet
- With shower holder
- **Protected against backflow**
- Min. recommended pressure: 15 psi
- Max Flow Rate 2.2 gpm at 60 psi (8.3 L/min); 2.5 gpm at 80 psi (9.5 L/min) for hand shower

Applicable Codes & Standards:

- Energy Policy Act of 1992
- ASME A112.18.1/CSA B125.1
- ICC/ANSI A117.1

Color:

- 32222 001 chrome

