

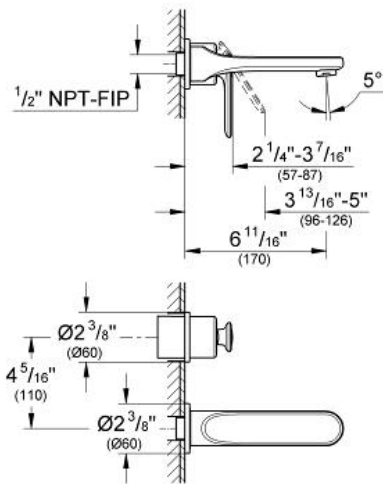
VERIS Two-Hole Basin Mixer

MODEL # 19343

Pure Freude an Wasser



GROHE America, Inc | 200 North Gary Avenue, Suite G, Roselle, IL 60172
Phone: +1 (800) 444-7643 | Fax: +1 (800) 225-2778 | us-customerservice@grohe.com



Product Description: Two-Hole Basin Mixer

Standard Specification:

- Wall mount
- GROHE StarLight® finish
- Integrated SpeedClean flow control
- Separate escutcheons $\text{Ø} 2 \frac{3}{8}$ "
- $6 \frac{11}{16}$ " spout reach
- Center distance $4 \frac{5}{16}$ " (110 mm)
- Requires Vessel Rough-In Valve (32 641)

Applicable Codes & Standards:

- Energy Policy Act of 1992
- NSF 61
- ASME A112.18.1/CSA B125.1
- US Federal and State material regulations
- EPA WaterSense®
- ICC/ANSI A117.1

Color:

- 19343 000 chrome
- 19343 KS0 velvet black
- 19343 LS0 Moon White, Yang White

