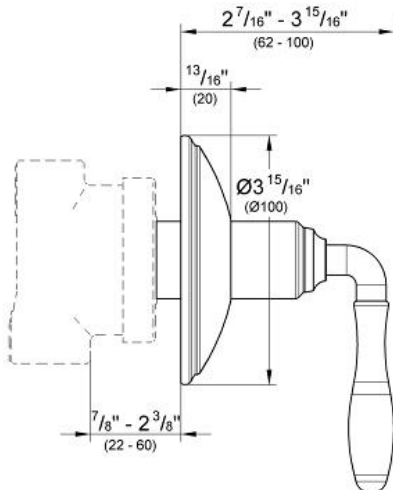


SEABURY  
3-Way Diverter  
MODEL # 19221

Pure Freude an Wasser

GROHE

GROHE America, Inc | 200 North Gary Avenue, Suite G, Roselle, IL 60172  
Phone: +1 (800) 444-7643 | Fax: +1 (800) 225-2778 | us-customerservice@grohe.com



ADA

**Product Description:**  
3-Way Diverter

**Standard Specification:**

- For use with Diverter Rough-In Valve (29 712)
- Adjustable installation depth: 7/8" - 2 3/8"
- GROHE StarLight® finish

**Applicable Codes & Standards:**

- Energy Policy Act of 1992
- ASME A112.18.1/CSA B125.1
- ICC/ANSI A117.1

**Color:**

- 19221 000 chrome
- 19221 BE0 sterling / brilliant nickel
- 19221 EN0 brushed nickel
- 19221 ZB0 oil rubbed bronze